

# 3VP

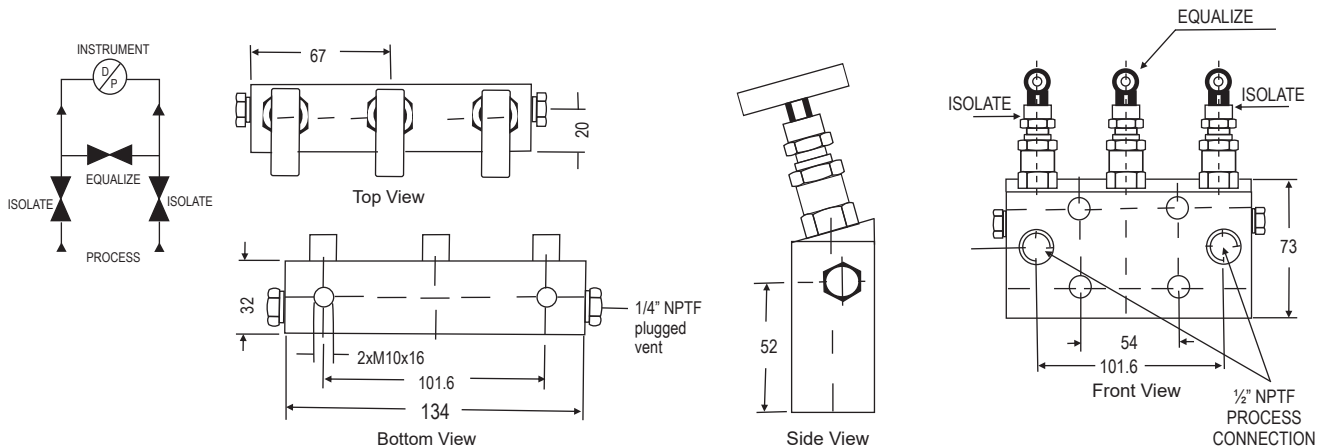
Direct mount (pipe to flange)



With threaded horizontal port inlets positioned on the front and Flange outlets on the back side. The test connections are positioned on the left and right hand side. The isolating bonnets and the equalizing bonnet are positioned angular on the top of the body.

## Standard Connection

Product	Process side	Instrument side	Vent/Test
3VP	1/2" NPT female	Flange	1/4" NPT female



Notes : • Drawings are not to scale. • All Dimensions are in mm.

## Specifications

Body	: SS 316
Stem	: SS 316
Valve assembly	: SS 316
"T" bar handle	: SS 304
Maximum working pressure	: 6000 psi
Maximum working temperature	: 240°C
Packing	: PTFE
Type of stem	: Type CT; Stem with conical metal tip
Drain port	: 1/4" NPT [F]; provided with SS 316 plug
Bracket mounting holes	: 2 Nos.

**How To Order**

Body Material	Stem Type	Stem Packing	Size = Inlet x Outlet	Connections	Threads
C = Carbon Steel	CT (std)	P = PTFE (std)	4F = 1/2" x Flange	FD = Female x Flange(54mm)	N = NPT (ANSI B 1.20.1)
C = SS 316 (std)	DS	G = Grafoil	2F = 1/4" x Flange	FR = Female X Female Rotating	P = BSPP (BS 2779, ISO 228/1)
S4 = SS 304				SW = Socket Weld	B = BSPT (BS 21, ISO 7/1)
SL = SS 316L				FC = Female x Colpanar	
M4 = Monel 400					
M5 = Monel 500					
H = Hastelloy C					

**Options -**

<b>TF</b>	: Compliance to NACE standard
<b>SG</b>	: For Oxygen service, valves are supplied cleaned, degreased and suitably packed.
<b>GH</b>	: Material test certificate*
<b>GO</b>	: Hydro test certificate
<b>PRF</b>	: PTFE ring for flange seal
<b>GRF</b>	: Grafoil ring for flange seal
<b>BLD4</b>	: Bleeder 1/4" NPT (M)

\*Material test certificates will be provided for wetted parts only with chemical composition testing. For others, please consult factory.

**Example**

To place an order simply refer to the codes in the table.

Valve Type : Body Material + Stem Type + Stem Packing + Size + Connections + Threads + Options

3VP + S + CT + P + 4F + FD + N = 3VP . S . CT . P . 4F . FD . N . Options

**NOTE:**

- The weld prepared types are available with female plain end - suitable for socket weld.
- Anti-tamper bonnet - special design on request with locking arrangement if desired.